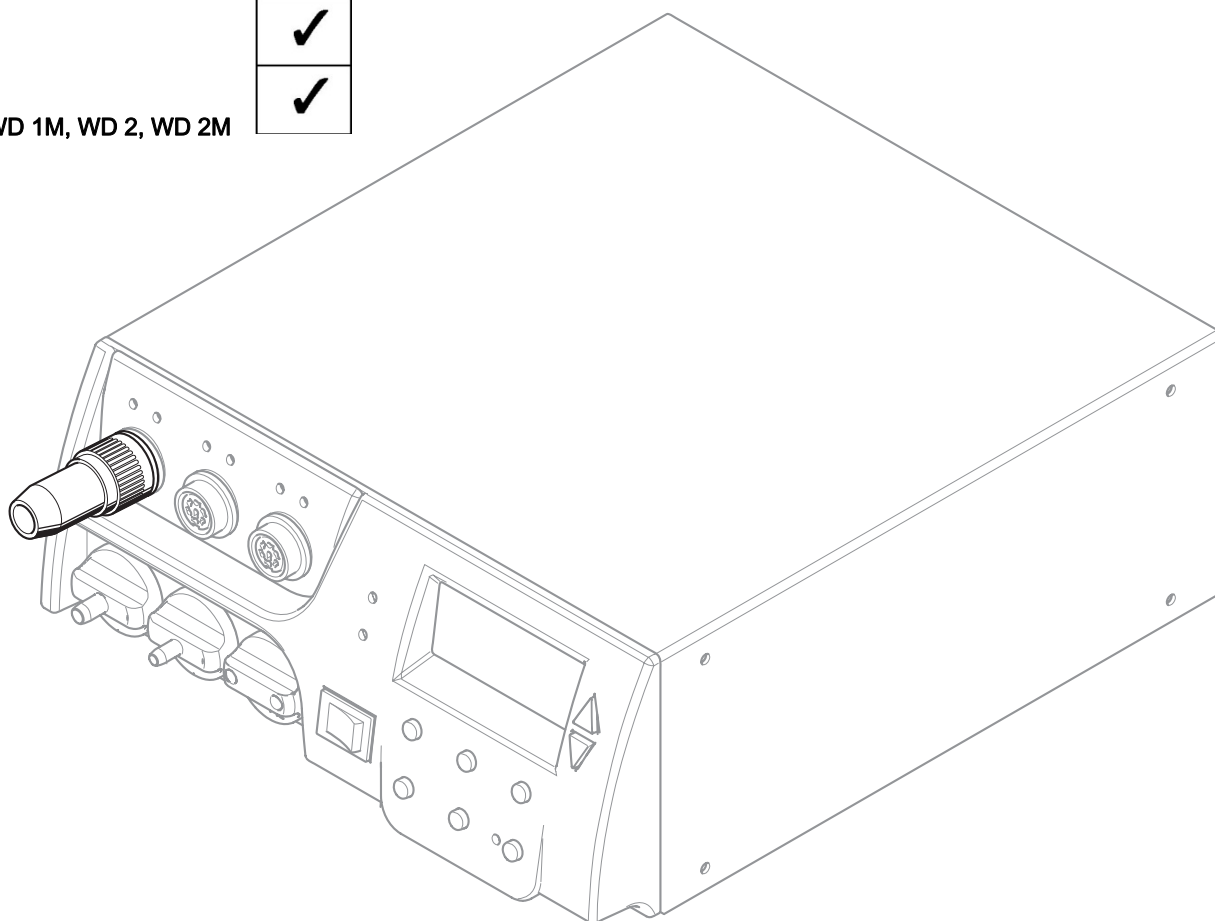


Reset-Stecker °C/°F -Reset connector °C/°F -Connecteur reset °C/°F - Connettore reset °C/°F -
Conector reset °C/°F -Ficha Reset °C/°F -Resetstekker °C/°F -Återställningskontakt °C/°F - Resetstik °C/°F -
Palautuspistoke °C/°F -Διακόπτης επαναφοράς °C/°F - Sıfırlama soket girişi °C/°F -Resetovací konektor °C/°F
Wtyczka resetująca °C/°F - Reset kapcsoló °C/°F -Resetovací konektor °C/°F - Vtič za ponastavitev °C/°F -
Ümberlüüiti °C/°F -Reset kontaktdakša °C/°F- Atstatos kištukas °C/°F

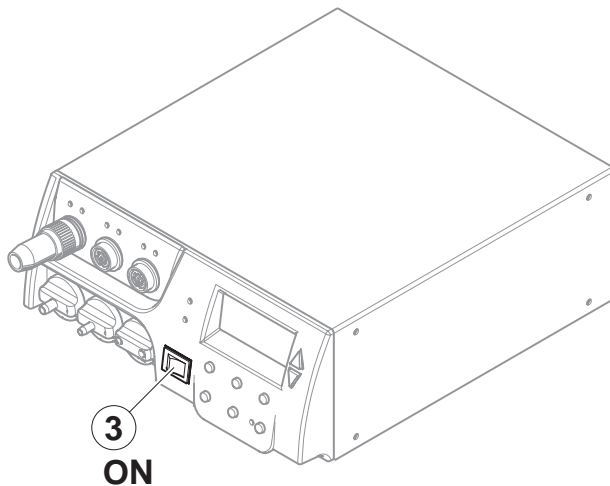
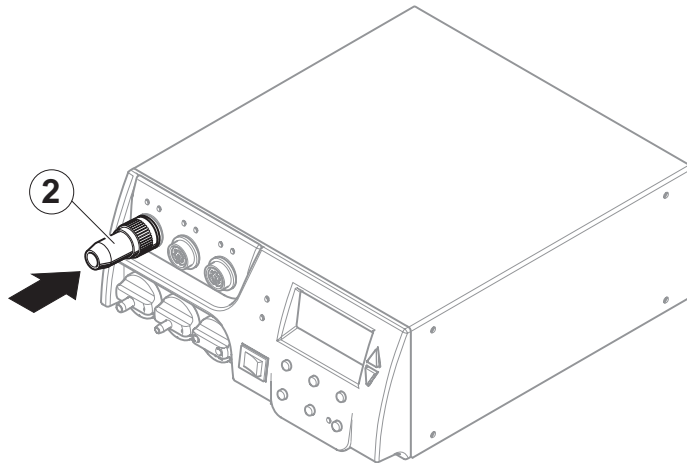
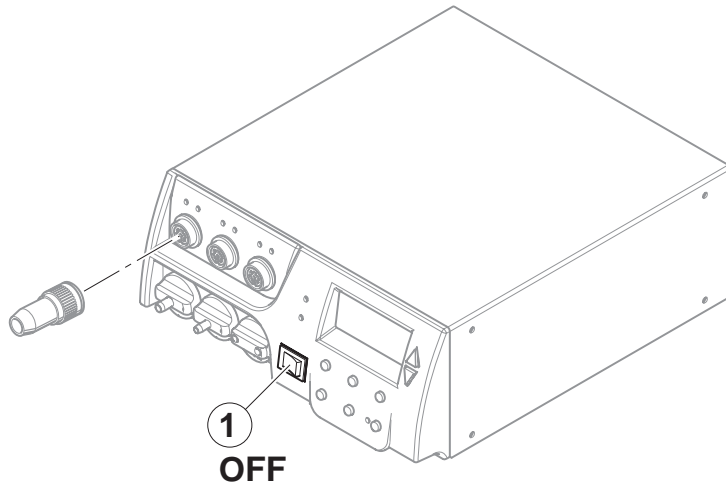
WR 3M

WD 1, WD 1M, WD 2, WD 2M



Betriebsanleitung - Operating Instruction - Gebruiksaanwijzing - Návod k použití - Návod na používanie - Kasutusjuhend - Käyttöohjeet -
Manual de uso - Navodila za uporabo - Instruktionsbok - Lietosanas instrukcija - Instrukcja obsługi - Betjeningsvejledning -
Üzemeltetési utasítás - Οδηγίες Λειτουργίας- Istruzioni per l'uso - Naudojimo instrukcija - Kullanim kilavuzu - Mode d'emploi -
Manual do utilizador

WR 3M



Weller Tools GmbH
Carl-Benz-Str. 2
74354 Besigheim
Germany
Tel.: +49 (0) 7143 580-0
Fax: +49 (0) 7143 580-108

Apex Tool France S.N.C.
25 Av. Maurice Chevalier B.P. 46
77832 Ozoir-la-Ferrière Cedex
France
Tél. : +33 (0) 1.64.43.22.00
Fax : +33 (0) 1.64.43.21.62

Apex Tool Group
(UK Operations) Ltd
4th Floor Pennine House Washington, Tyne & Wear
NE37 1LY
Great Britain
Tel.: +44 (0) 191 419 7700
Fax: +44 (0)191 417 9421

Apex Tool Italia S.r.l.
Viale Europa 80
20090 Cusago (MI)
Italy
Tel.: +41 (02) 90 33 101
Fax: +41 (02) 90 39 42 31

Apex Tool Switzerland Sàrl
Rue de la Roselière 8
1400 Yverdon-les-Bains
Switzerland
Tel.: +41 (0) 24 426 12 06
Fax: +41 (0) 24 425 09 77

Apex Tool Group, LLC
14600 York Rd. Suite A
Sparks, MD 21152
USA
Tel.: +1 (800) 688-8949
Fax: +1 (800) 234-0472



The data specified above only serve to describe the product. No statements concerning a certain condition or suitability for a certain application can be derived from our information. The given information does not

release the user from the obligation of own judgement and verification. It must be remembered that our products are subject to a natural process of wear and aging. © This document, as well as the data,

specifications and other informations set forth in it, are the exclusive property of Weller Tools GmbH. Without their consent it may not be reproduced or given to third

parties. Subject to modifications. Printed in Germany. - 09.2011

Order no. T005 57 120 01 – 09.2011
T005 57 120 00 – 04.2007